

Barudan

ELECTRONIC HIGH SPEED EMBROIDERY MACHINE

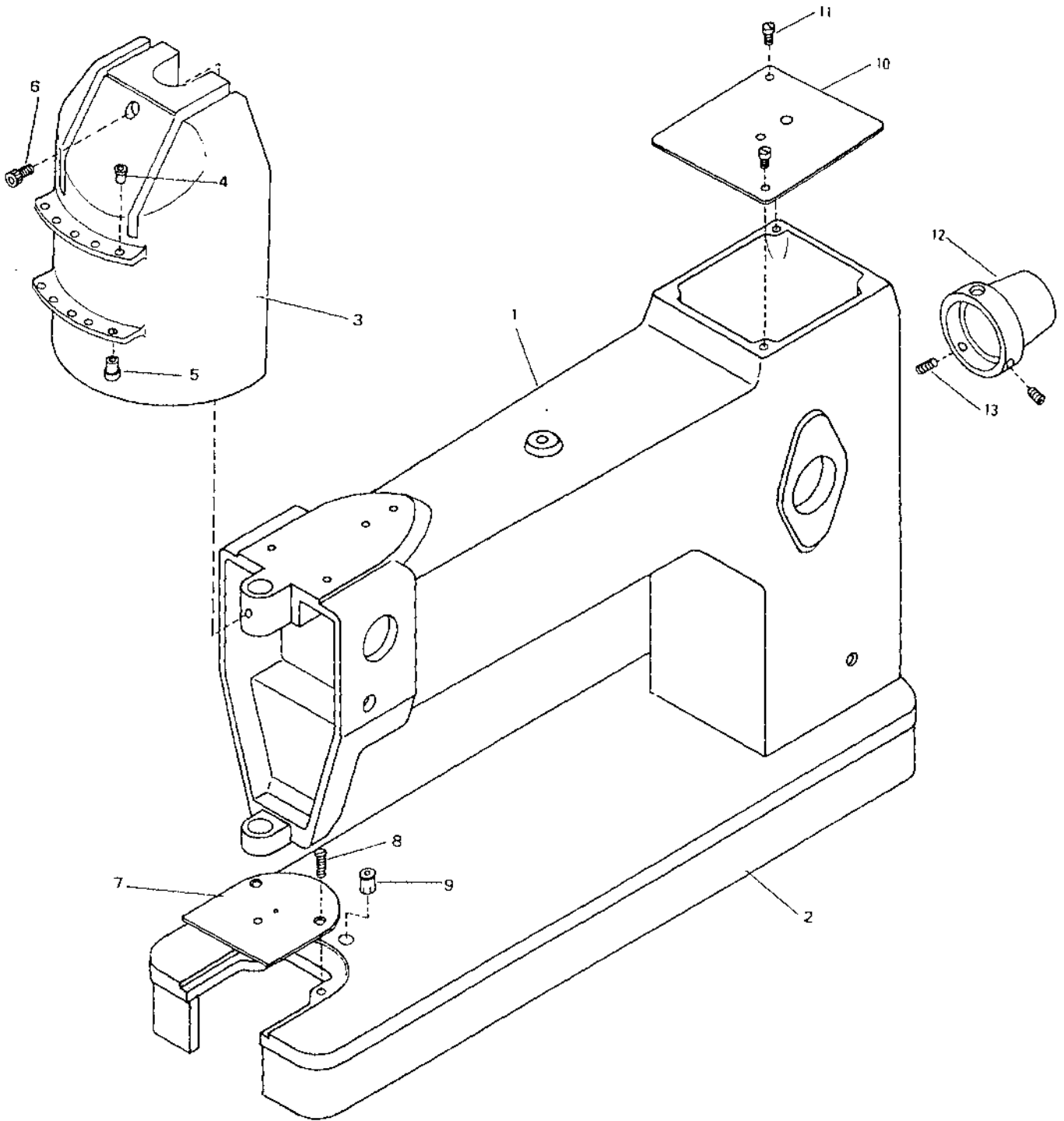
BEHJ

PARTS LIST

BEHJ ELECTRONIC HIGH SPEED EMBROIDERY MACHINE PARTS LIST

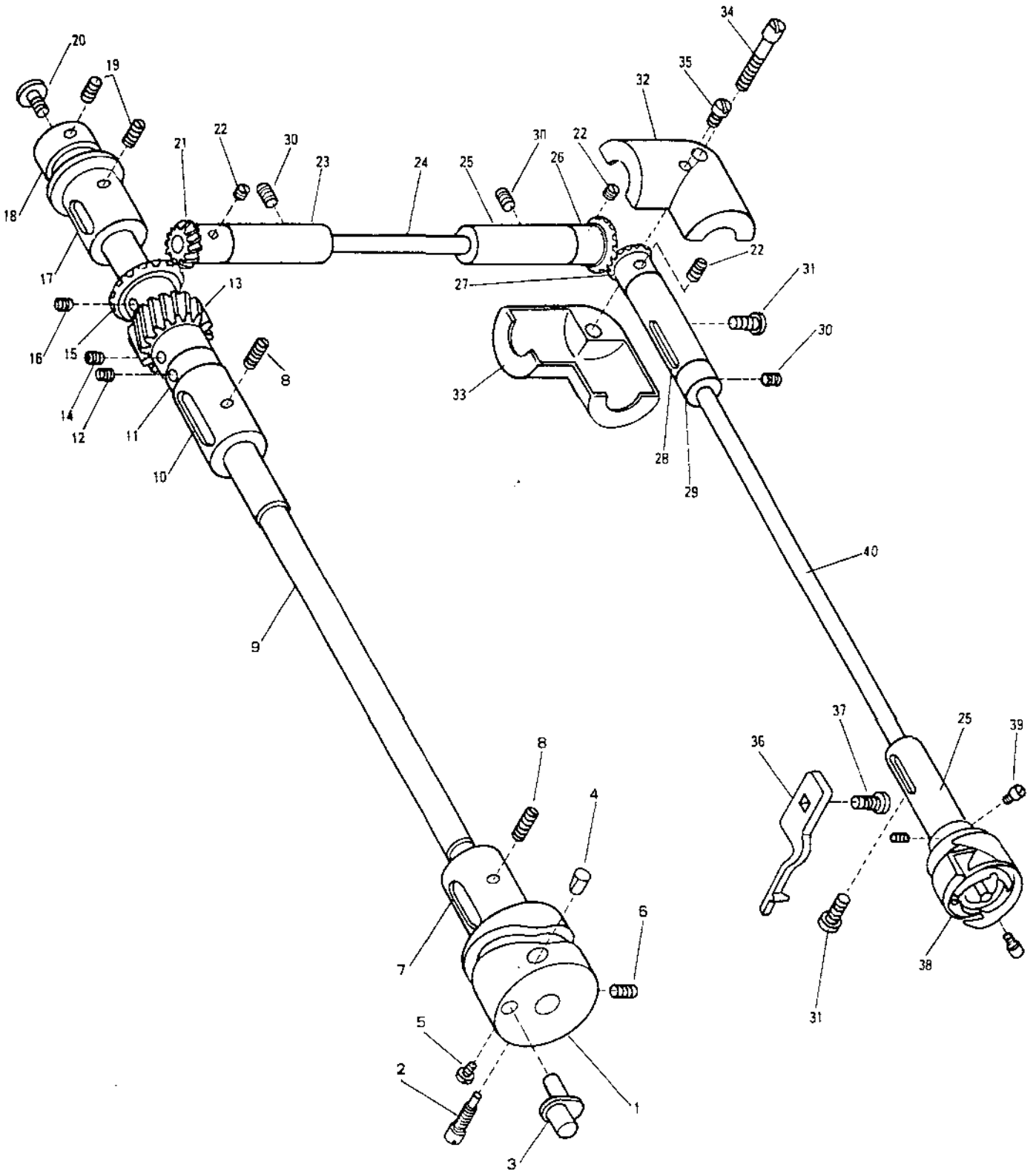
CONTENTS

SEWING HEAD	1
SEWING HEAD DRIVE	2
ROTARY COLOUR CHANGE HEAD AND TAKE UP MECHANISM...	3
ROTARY COLOUR CHANGE HEAD AND TAKE UP MECHANISM...	4
JUMP STITCH MECHANISM	5
THREAD TENSION ASSEMBLY	6
DRIVE MOTOR AND CLUTCH COMPLETE	7
DRIVE MOTOR AND CLUTCH EXPLODED VIEW	8
ROTARY COLOUR CHANGE SELECTOR ASSEMBLY.....	9
ROTARY COLOUR CHANGE SELECTOR ASSEMBLY.....	10
(EXPLODED VIEW)	
PANTOGRAPH DRIVE MOTOR ASSY AND TIMING BELT	11
(BACK/FORWARD MOVEMENT)	
PANTOGRAPH TIMING BELT ASSY	12
(BACK/FORWARD MOVEMENT)	
PANTOGRAPH DRIVE MOTOR ASSY AND TIMING BELT	13
(LEFT/RIGHT MOVEMENT)	
PANTOGRAPH TIMING BELT ASSY	14
(LEFT/RIGHT MOVEMENT)	
ELECTRONIC CONTROLS	15
UNDER THREAD STOP MOTION(UTSM)ASSY.....	16
LIGHT FITTINGS, THREAD STAND, AND SUPPORTS.....	17



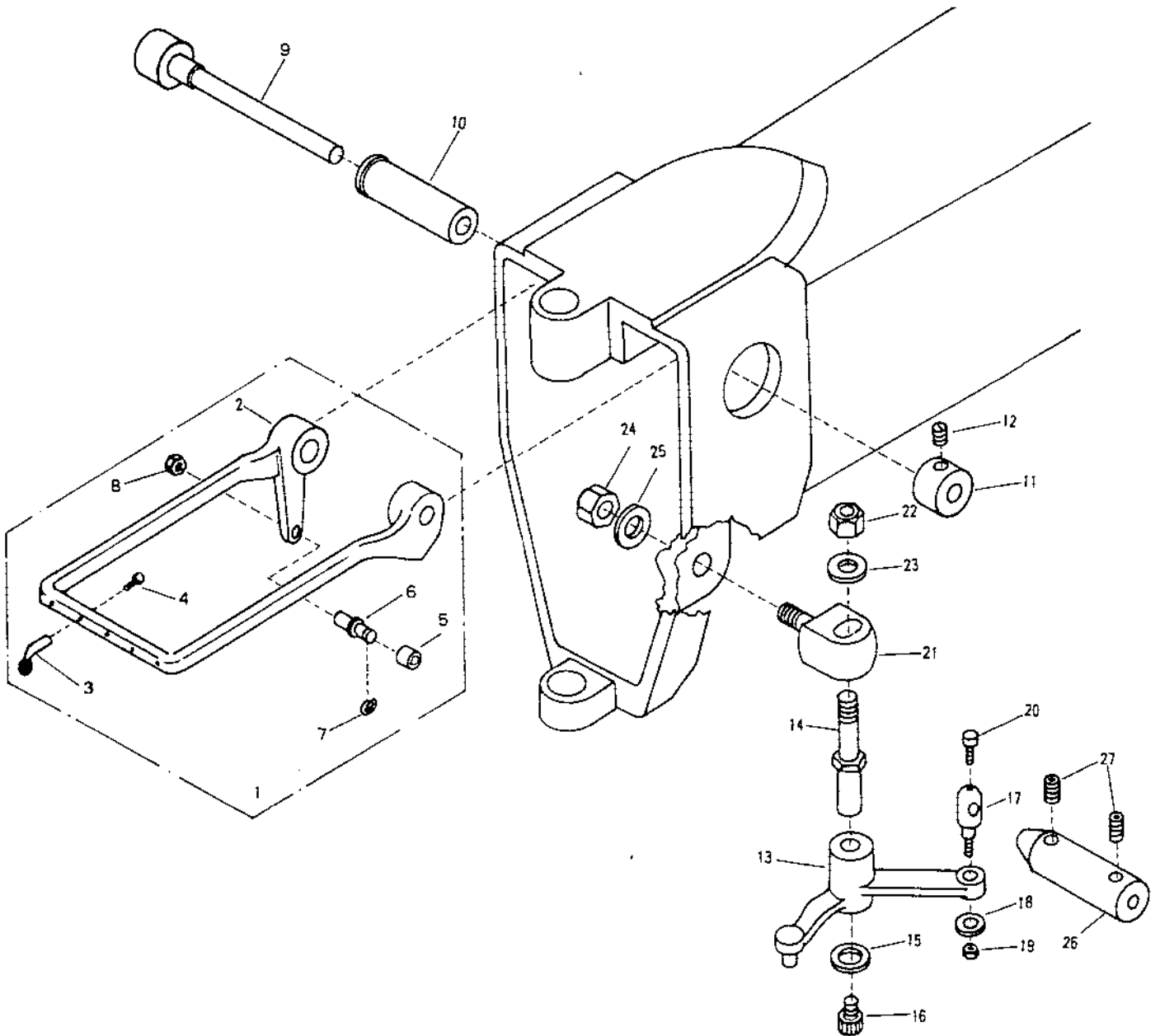
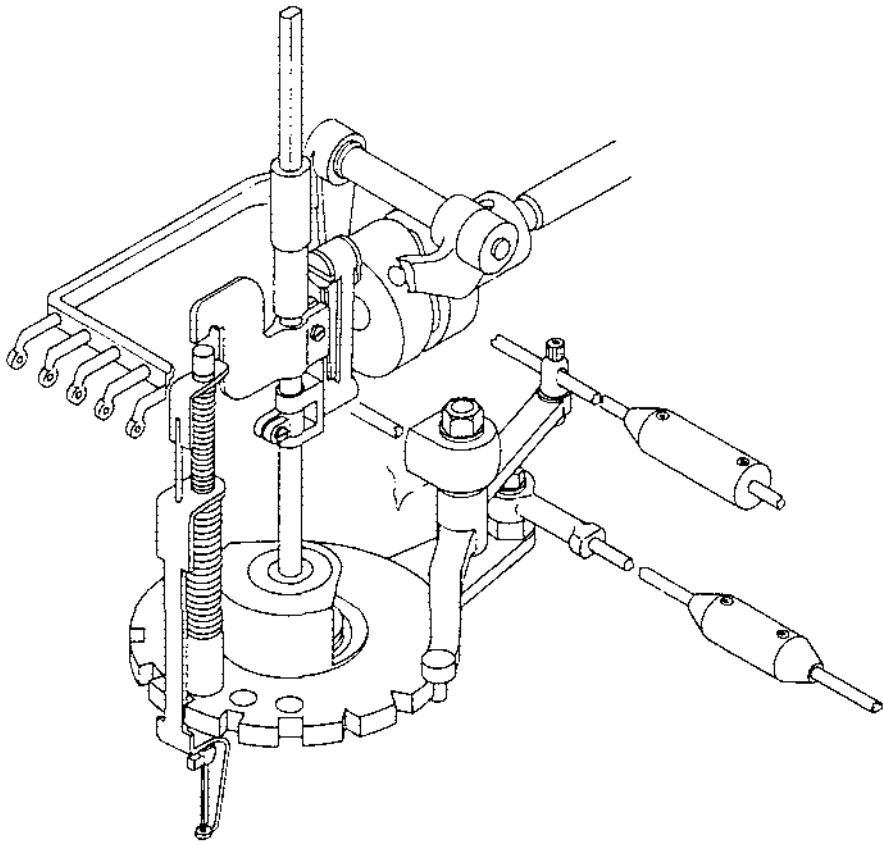
SEWING HEAD (G)

No.	Description
1	2111F.....SEWING HEAD
2	2121F.....SEWING HEAD BASE PLATE
3	2512F.....SEWING HEAD COVER
4	2492F.....CREAMIC GUIDE (UPPER)
5	2493F.....CREAMIC GUIDE (LOWER)
6ALAN SCREW
7	2513F.....NEEDLE PLATE
8NEEDLE PLATE SCREW
9	2255F.....DUSTPROOF OILER
10	2516F.....ARM SHAFT GEAR COVER
11RETAINING SCREW FOR G 10
12	2511F.....REAR BEARING COVER
13GRUB SCREW



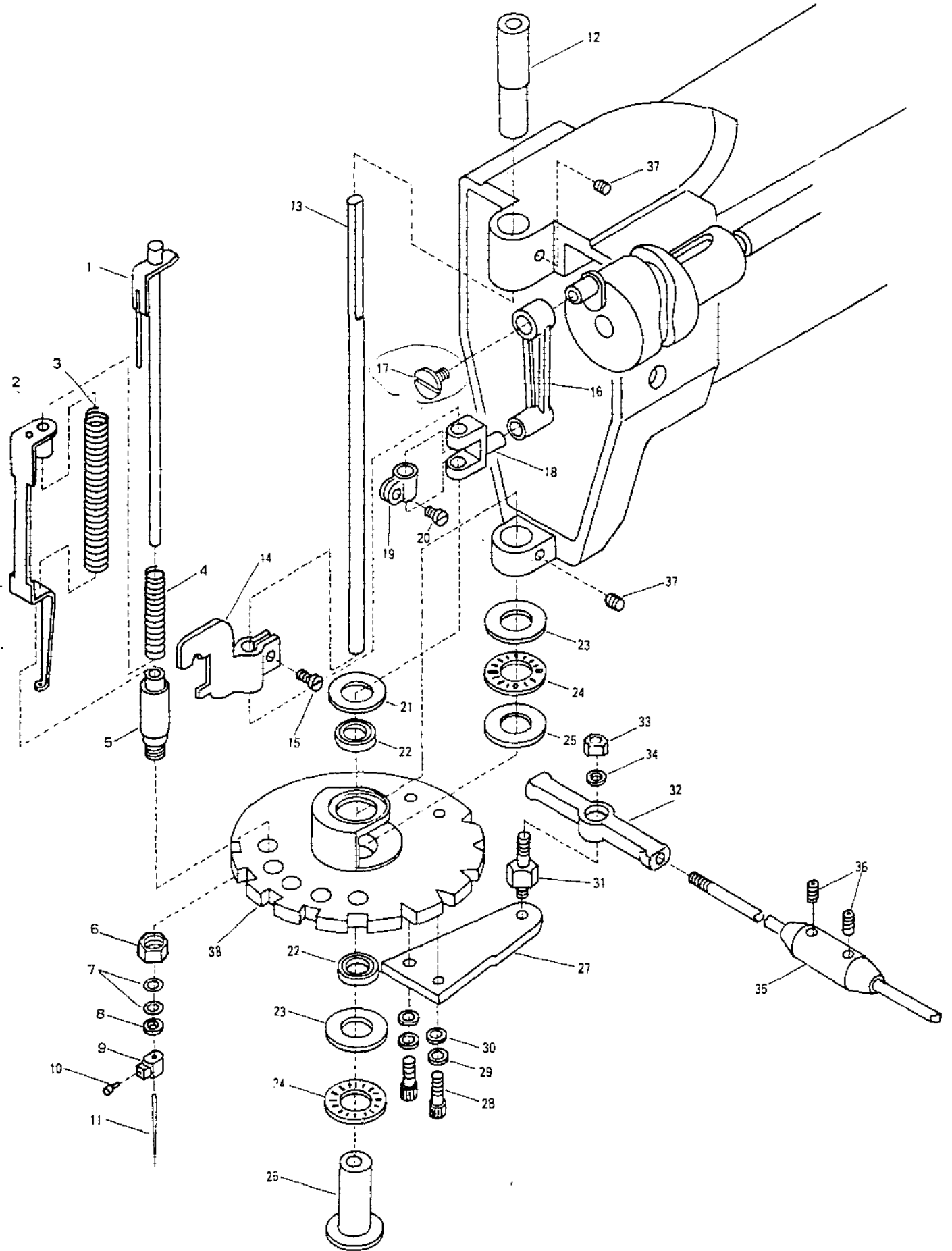
SEWING HEAD DRIVE (H)

No.	Description
1	2341F.....TAKE UP LEVER CAM
2	2342F.....LOCATING SCREW
3	2343F.....CRANK PIN
4	2344F.....RETAINING PIN FOR H3
5SCREW FOR H4
6GRUB SCREW
7	2214F.....FRONT ARM SHAFT BUSH
8GRUB SCREW
9	2211F.....ARM SHAFT
10	2216F.....ARM SHAFT CENTRE BUSH
11	2218F.....COLLAR
12GRUB SCREW
13	2212F.....HELICAL GEAR
14GRUB SCREW
15	2213F.....BEVEL GEAR (LARGE)
16GRUB SCREW
17	2215F.....REAR BUSH
18	2219F.....COLLAR
19GRUB SCREW
20	2245F.....REAR LOCKING SCREW
21	2246F.....BEVEL GEAR (SMALL)
22GRUB SCREW
23	2224F.....VERTICAL SHAFT BUSH (UPPER)
24	2225F.....VERTICAL SHAFT
25	2223F.....BUSH
26	2247F.....BEVEL GEAR (VERTICAL SHAFT)
27	2248F.....BEVEL GEAR (HOOK SHAFT)
28	2222F.....HOOK SHAFT BUSH (REAR)
29	2229F.....COLLAR
30GRUB SCREW
31SCREW
32	2227F.....GREASE COVER (RHS)
33	2228F.....GREASE COVER (LHS)
34SCREW
35SCREW
36	2251F.....HOOK BASE RETAINING FINGER
37SCREW FOR H36
38	2231F.....SEWING HOOK AND BASE
39SCREW
40	2221F.....HOOK SHAFT



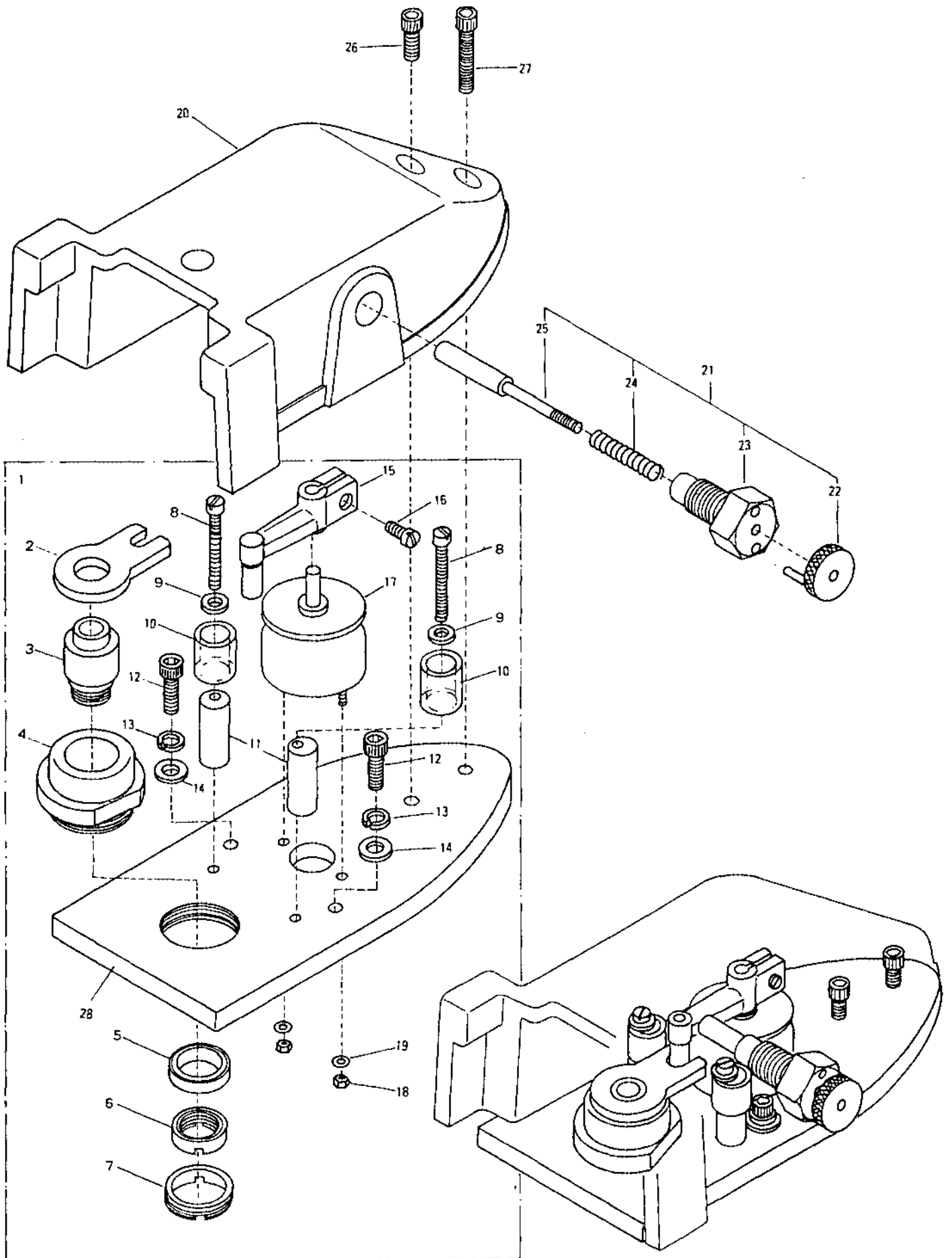
ROTARY COLOUR CHANGE HEAD AND TAKE UP MECHANISM(J)

No.	Description
1	2303F.....TAKE UP LEVER ASSY COMPLETE
2	2349F.....TAKE UP LEVER
3	2357F.....CERAMIC THREAD GUIDE
4	2356F.....SCREW FOR J3
5	2353F.....ROLLER)
6	2354F.....STUD)
7CIRCLIP) TAKE UP LEVER CAM FOLLOWER ASSY
8NUT)
9	2351F.....TAKE UP LEVER SHAFT
10	2352F.....TAKE UP SPINDLE BUSH
11	2355F.....RETAINING COLLAR
12GRUB SCREW
13	2361F.....LOCK LEVER
14	2363F.....THREADED STUD
15WASHER
16SOCKET SCREW
17	2364F.....LOCK BAR POSITIONING CLAMP
18WASHER
19HEXAGONAL NUT
20SCREW
21	2365F.....LOCK LEVER BRACKET
22HEXAGONAL NUT
23WASHER
24HEXAGONAL NUT
25WASHER
26	3339F.....LOCK BAR HAND GRIP
27GRUB SCREW



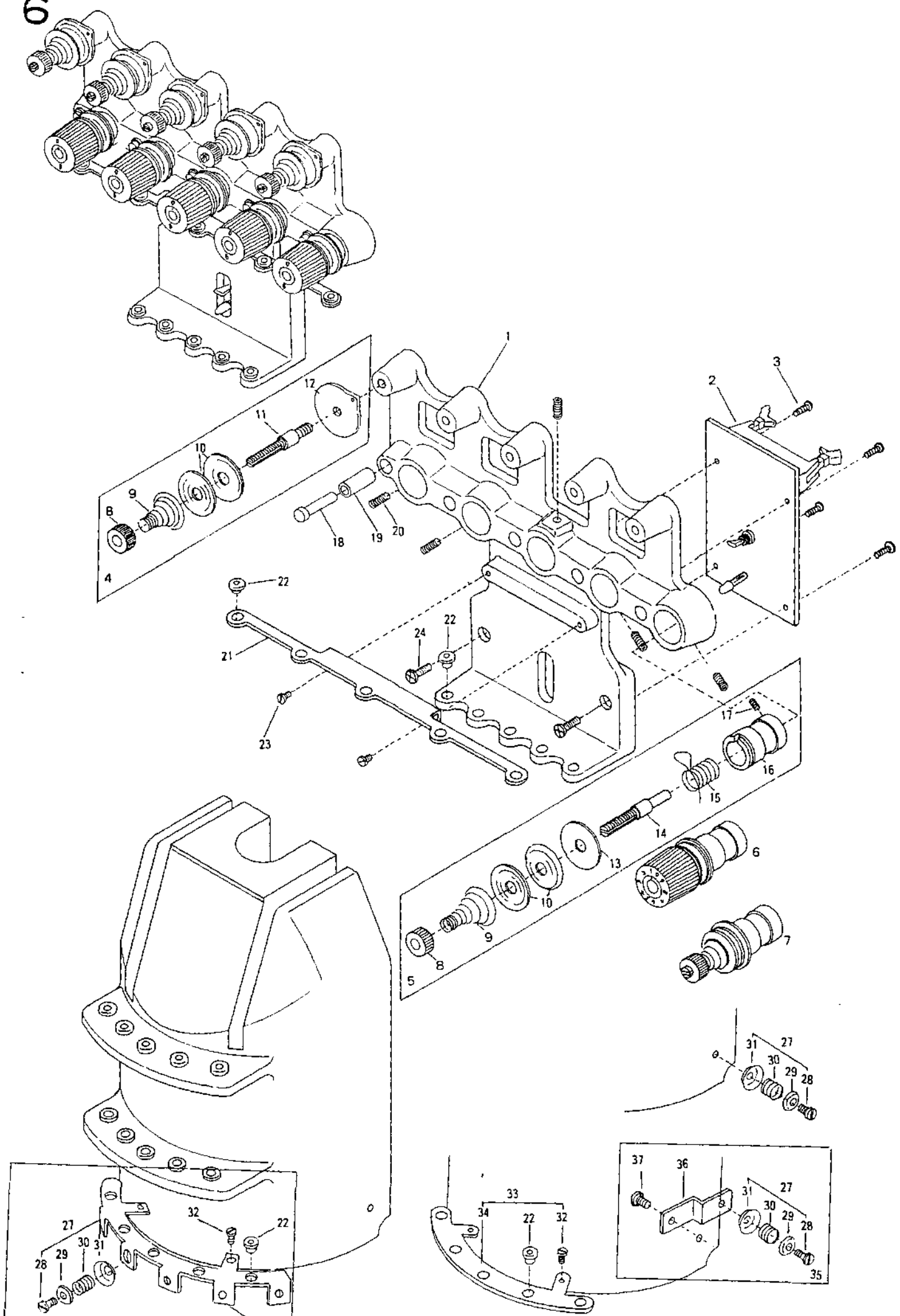
ROTARY COLOUR CHANGE HEAD AND TAKE UP MECHANISM (K) (EXPLODED VIEW)

No.	Description
1	2301F.....NEEDLE BAR ASSY
2	2302F.....PRESSER FOOT
3	2318F.....NEEDLE BAR SPRING (WIDE)
4	2321F.....NEEDLE BAR SPRING (NARROW)
5	2313F.....THREADED BUSH (TURRET ASSY)
6HEXAGONAL NUT
7	2391F.....NYLON WASHER (THIN)
8	2393F.....NYLON BUSH
9	2323F.....NEEDLE CLAMP
10NEEDLE CLAMP SCREW
11	2325F.....NEEDLE (SPECIFY NEEDLE GAUGE)
12	2332F.....UPPER BUSH
13	2331F.....NEEDLE BAR DRIVER SHAFT
14	2334HJ.....NEEDLE BAR DRIVDR E
15SCREW
16	2346F.....NEEDLE BAR CONNECTING LINK
17	2345F.....SCREW FOR K16
18	2347F.....NEEDLE BAR DRIVING FORK
19	2348F.....NEEDLE SHAFT CLAMP
20SCREW FOR K19
21	2312F.....THRUST RACE WASHER FOR K38
22	SSA-2015F(NMB)---BEARING SPACER
23	GS-1528GS-1528 THRUST RACE WASHER FOR K24
24	NTB-1528THRUST RACE
25	AS-1528THRUST RACE WASHER FOR K24
26	2333F.....BEARING SHAFT
27	2335F.....TURRET POSITION BRACKET
28ALAN SCREW FOR K27
29SPRING WASHER
30WASHER FOR K28
31	2336F.....PIVOT CONNECTING STUD
32	RD4 020(NMB) ---PIVOT COUPLING
33NUT FOR K31
34WASHER FOR K31
35	3338F.....COLOUR CHANGE ROD HAND GRIP
36GRUB SCREW
37GRUB SCREW FOR K12 AND K26
38	2311F.....NEEDLE BAR TURRET PLATE



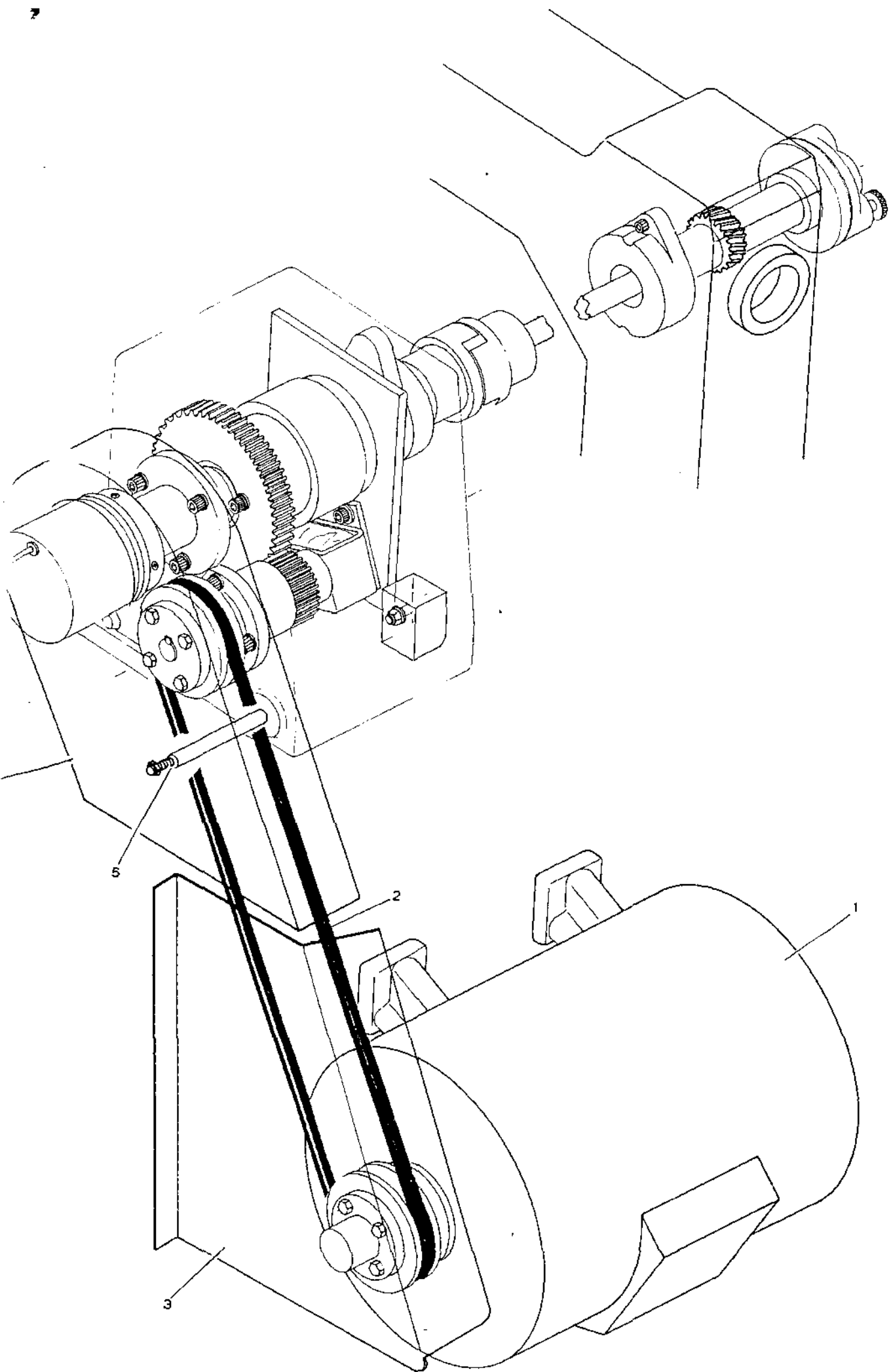
JUMP STITCH MECHANISM(L)

No.	Description
1	2402F.....JUMP STITCH MECHANISM COMPLETE
2	2443F.....ACTUATING LEVER
3	2444F.....BUSH
4	2445F.....GUIDE BUSH
5	A2015(NMB).....BALL RACE
6	2447F.....ROUND NUT
7	2446F.....ROUND NUT
8SCREW
9WASHER
10	2449F.....NYLON STOP
11	2448F.....ADJUSTABLE ECCENTRIC FOR STOP
12SCREW
13SPRING WASHER
14WASHER
15	2442F.....LEVER
16SCREW FOR L15
17	2461F.....ROTARY SOLENOID
18NUT FOR L17
19WASHER FOR L18
20	2451HJ.....COVER JUMP STITCH MECHANISM
21	2403F.....HEAD ISOLATOR ASSY
22	2452F.....CLUTCH RELEASE PIN
23	2455F.....ISOLATOR PIN RETAINING BOLT
24	2456F.....SPRING FOR L21
25	2453F.....HEAD ISOLATOR ACTUATING PIN
26SCREW (SHORT)
27SCREW (LONG)
28SOLENOID BRACKET BASE



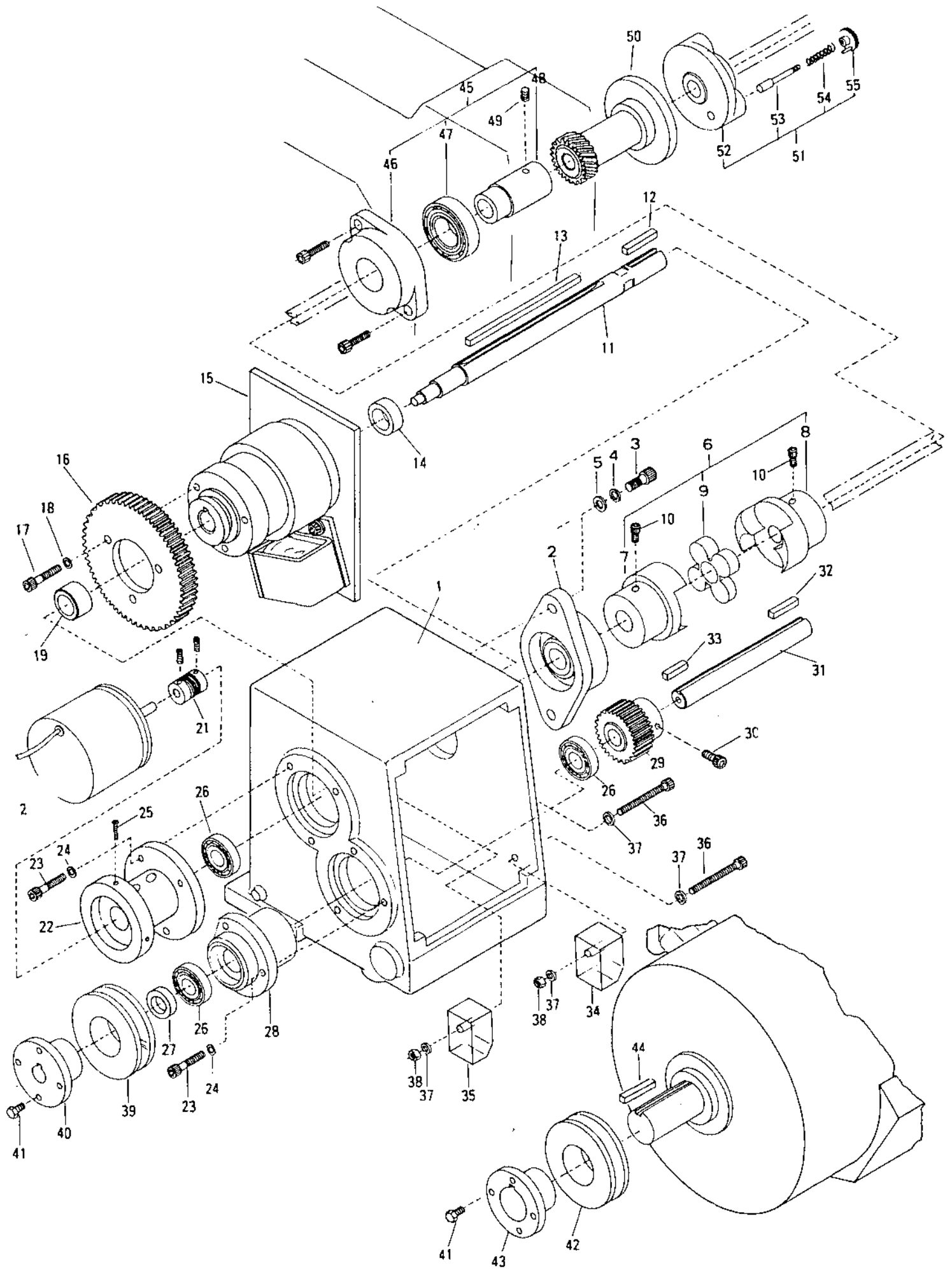
THREAD TENSION ASSEMBLY (M)

No.	Description
1	2411HJTHREAD TENSION ASSY BRACKET
2	5118HJTHREAD BREAK PCB
3SCREW FOR 2
4	2406F.....UPPER TENSION UNIT COMPLETE
5	2407F.....LOWER TENSION UNIT COMPLETE
6	2401HJLOWER TENSION UNIT ASSEMBLED
7	2408F.....UPPER TENSION UNIT ASSEMBLED
8	2471F.....ADJUSTING NUT UPPER AND LOWER
9	2436H.....THREAD TENSION SPRING
10	2425F.....THREAD TENSION DISCS
11	2416F.....THREAD TENSION POST (UPPER)
12	2427F.....TENSION DISC PLASTIC INSULATOR (UPPER)
13	2475F.....TENSION DISC PLASTIC INSULATOR (LOWER)
14	2417F.....THREAD TENSION POST (LOWER)
15	2481F.....CHECK SPRING
16	2477F.....TENSION SPRING HOLDER
17GRUB SCREW
18	2431F.....STOP MOTION CONTACT
19	2432F.....INSULATOR
20SCREW
21TOP THREAD GUIDE BAR
22	2433F.....THREAD GUIDE (CERAMIC)
23	2491F.....SCREW FOR M21
24SCREW FOR M1
25	2501F.....THREAD END TRAP UNIT ASSY
26	2521F.....THREAD END TRAP BASE PLATE
27	2520F.....INDIVIDUAL THREAD END TRAP COMPLETE
28	2525F.....SCREW FOR M27
29	2523F.....WASHER FOR M27
30	2524F.....SPRING FOR M27
31	2522F.....THREAD TRAP DISC
32SCREW TRAP DISC
33	2502F.....THRED END TRAP UNIT ASSY (OLD UNIT)
34	2531F.....THREAD END TRAP BASE PLATE
35	2530F.....INDIVIDUAL THREAD END TRAP COMPLETE
36	2526F.....STAY
37SCREW



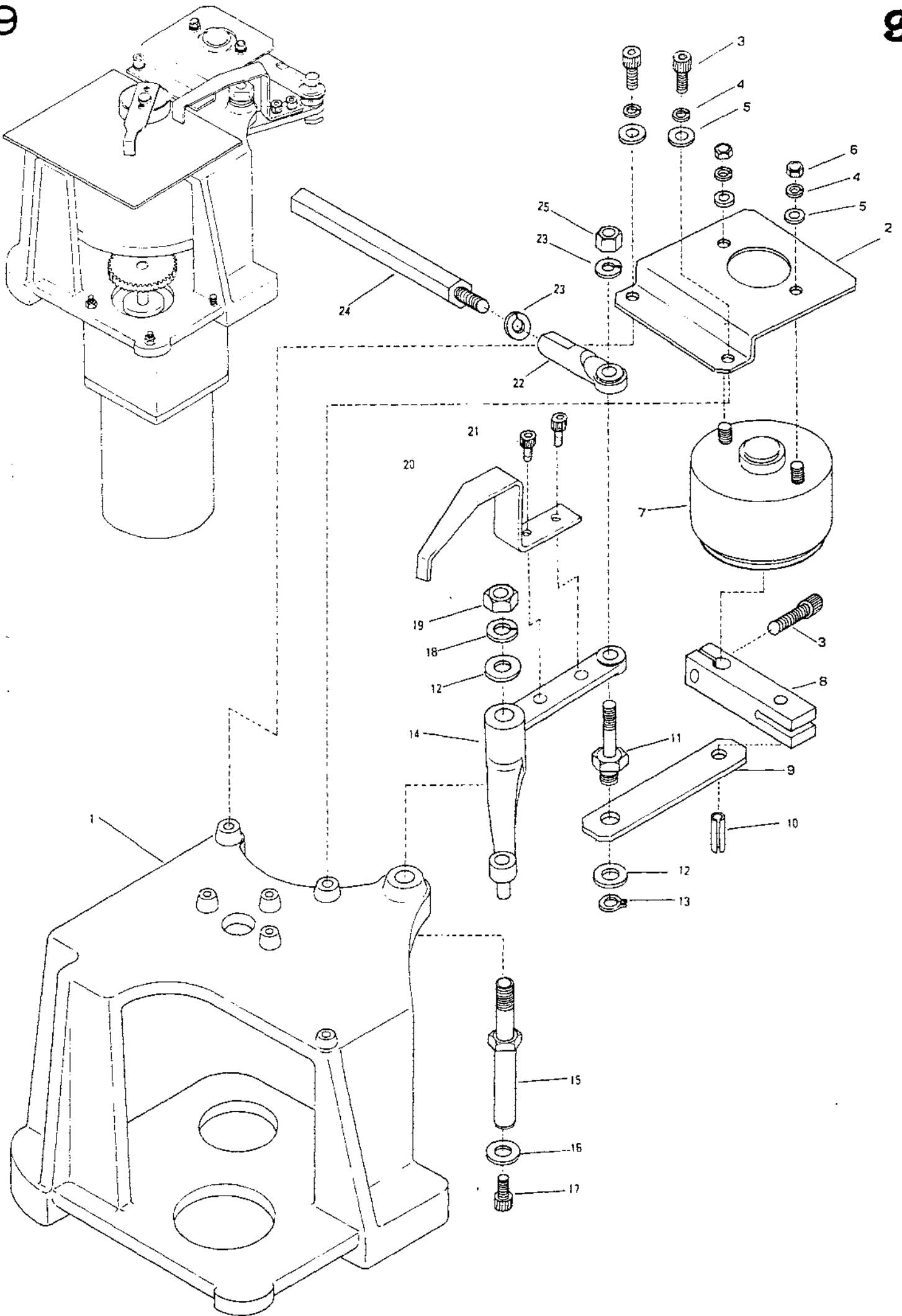
DRIVE MOTOR AND CLUTCH COMPLETE (N) /

No.	Description
1	3111HJDRIVE MOTOR (3 PHASE)
	3112HJ // (1 PHASE)
2	3141HJDRIVE BELT
3	3161HJDRIVE BELT CASING (LOWER)
4	3162HJDRIVE BELT CASING (UPPER)
5	3164HJDRIVE BELT CASING SPACER STUD



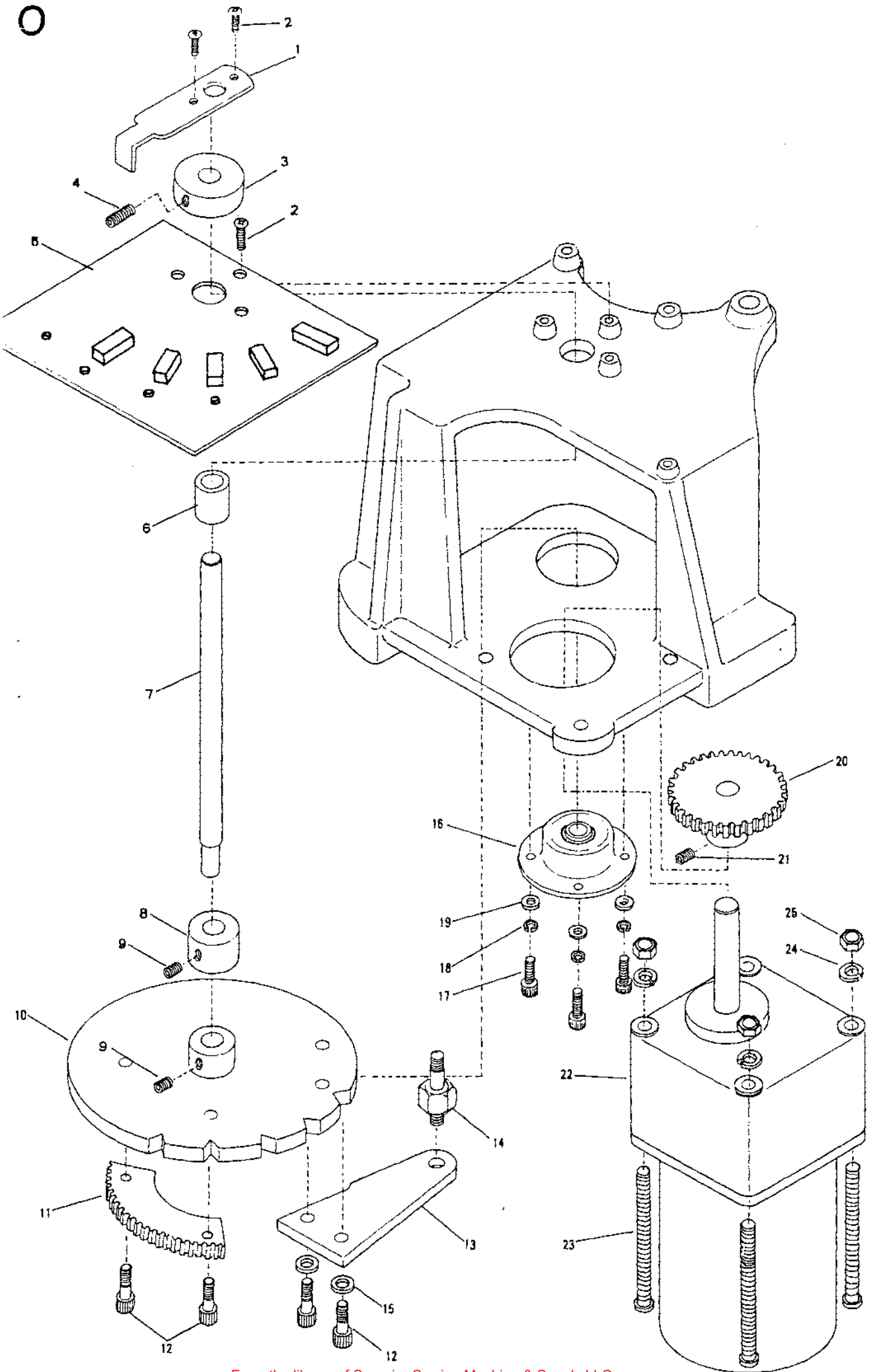
DRIVE MOTOR AND CLUTCH EXPLODED VIEW (P)

No.	Description
1	3145HJCASING CLUTCH ASSY
2	204J(FYH)FLANGE
3BOLT
4SPRING WASHER
5WASHER
6	3102HJDRIVE SHAFT COUPLING ASSY
7	3165HJCOUPLING RHS
8	3166HJCOUPLING LHS
9	3167HJNYLON BUSH (STAR)
10GRUB SCREW
11	3151HJDRIVE SHAFT
12	3153HJKEYWAY FOR P11 (SHORT)
13	3152HJKEYWAY FOR P11 (LONG)
14	3154HJBUSH FOR P11
15	3101HJCLUTCH ASSY CB6
16	3148HJDRIVE GEAR (LARGE DRIVE SHAFT)
17ALAN SCREW
18WASHER
19	3149HJBUSH
20	5121HJANGLE POSITION CODER
21	5122HJCODER COUPLING
22	3146HJFLANGE FOR UPPER GEAR
23ALAN SCREW FOR P22
24WASHER FOR P22
25SCREW
26	6902ZROLLER BEARING
27	3139HJBUSH (PULLEY SPINDLE)
28	3147HJFLANGED BEARING HOUSING
29	3156HJDRIVE GEAR (SMALL, PULLEY SPINDLE)
30ALAN SCREW
31	3155HJPULLEY SPINDLE
32	3157HJKEYWAY
33	3138HJKEYWAY
34	3158HJMOUNTING BLOCK LHS
35	3159HJMOUNTING BLOCK RHS
36ALAN SCREW
37WASHER
38NUT
39	3131HJPULLEY (UPPER, CLUTCH ASSY)
40	3135HJOUTER FLANGE (PULLEY SPINDLE)
41BOLT
42	3131HJMOTOR PULLEY (3PHASE 60 HZ)
	3122HJ // (3PHASE 50 HZ)
	3128HJ // (1PHASE 60 HZ)
	3129HJ // (1PHASE 50 HZ)
43	3133HJFLANGE FOR P42 (3 PHASE 60 HZ)
	3134HJ // (3 PHASE 50 HZ)
44	3136HJKEYWAY (3 PHASE 60 HZ)
	3137HJ // (3 PHASE 50 HZ)
	3138HJ // (1 PHASE 50/60 HZ)
45	32024FBEARING AND SPACER ASSY
46	3225FFLANGE
47	NTN620 ROLLER BEARING
48	3226FBUSH
49GRUB SCREW
50	3226FHELICAL GEAR
51	3201FCLUTCH ASSY INDIVIDUAL HEAD
52	3221FCLUTCH
53	3222FCLUTCH PIN
54	2456FSPRING FOR P51
55	2452FCLUTCH PIN CAP



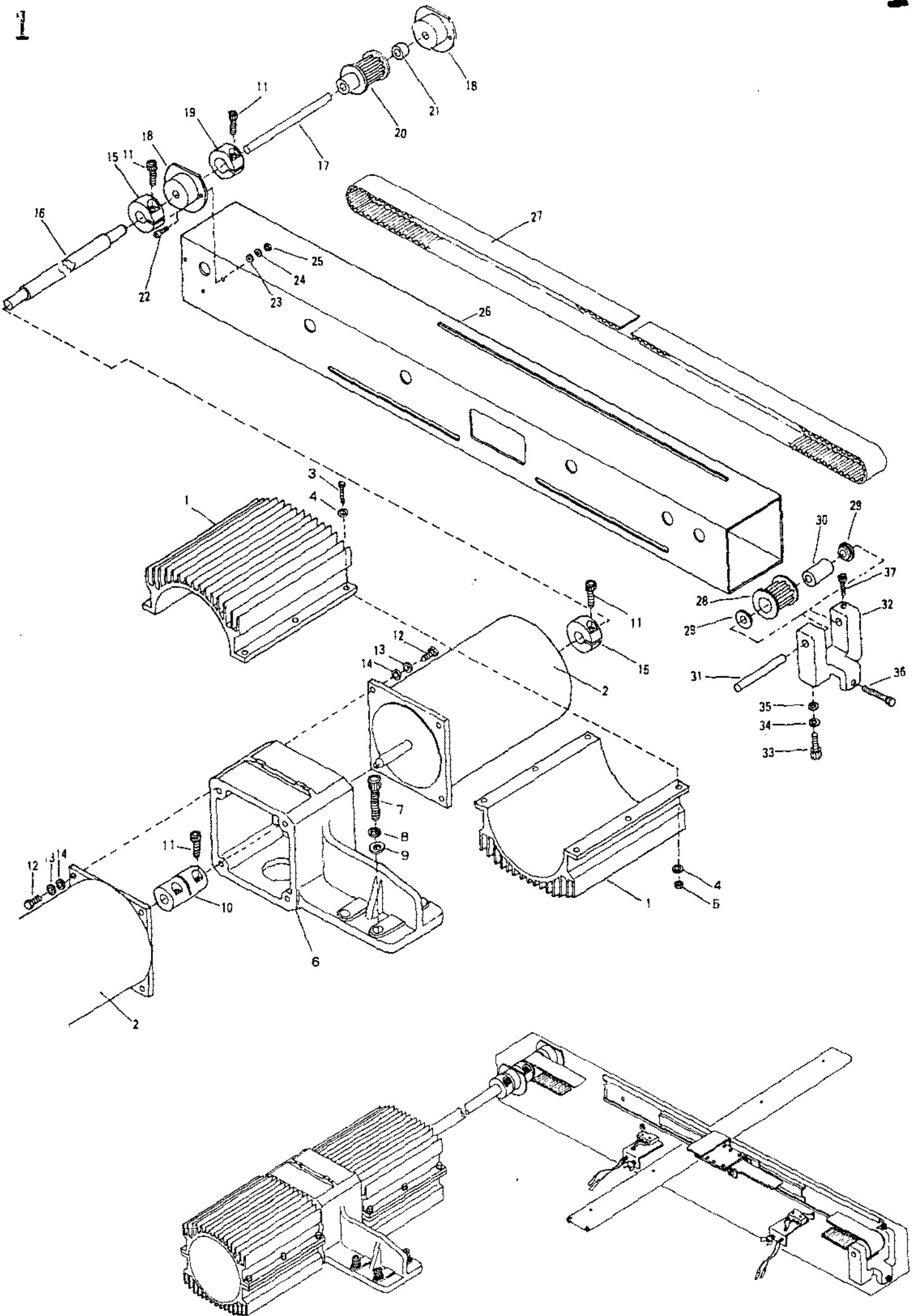
ROTARY COLOUR CHANGE SELECTOR ASSEMBLY (R)

No.	Description
1	3313HJBASE ROTARY COLOUR CHANGE ASSY
2	3326HJROTARY SOLENOID MOUNTING
3ALAN SCREW
4SPRING WASHER
5WASHER
6HEXAGONAL NUT
7	3385HJROTARY SOLENOID
8	3324HJLINKAGE (LARGE)
9	3325HJLINKAGE PLATE
10	JCIRCULAR SPRING PIN
11	3323HJTHREADED STUD
12WASHER
13CIRCLIP
14	2361F.....LOCK LEVER
15	2363F.....THREADED PIVOT STUD
16WASHER
17WASHER ALAN SCREW
18SPRING WASHER
19HEXAGONAL NUT
20	3329HJLOCK CONFIRMATION LEVER
21ALAN SCREW
22	CRB6(NMB)UNIBALL COUPLING
23SPRING WASHER
24	3351HJHEXAGON CONNECTING ROD
25HEXAGON NUT



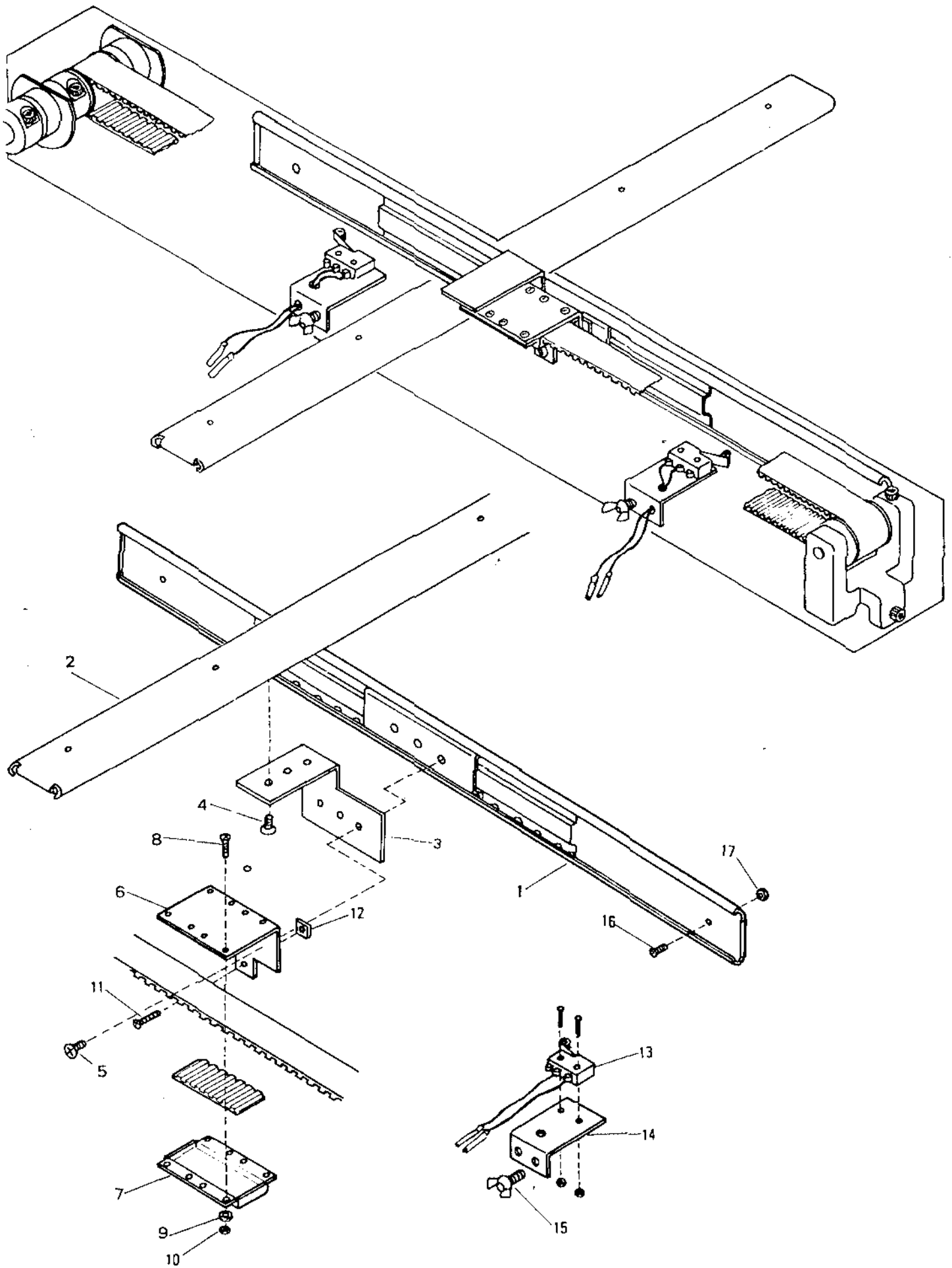
ROTARY COLOUR CHANGE SELECTOR ASSEMBLY(S) (EXPLODED VIEW)

No.	Description
1	3328HJCOLOUR CHANGE CONFIRMATION LEVER
2SCREW
3	3317HJBUSH
4GRUB SCREW
5	5114HJNEEDLE POSITION SENSOR UNIT
6	3319HJBUSH
7	3316HJSPINDLE
8	3318HJBUSH
9GRUB SCREW
10	3315HJCOLOUR CHANGE TURRET
11	3322HJGEAR (LARGE)
12ALAN SCREW
13	2335F.....FLANGE PLATE FOR TURRET
14	2336F.....JOINT PIN
15WASHER
16	3361HJCLUTCH PLATE
17ALAN SCREW
18SPRING WASHER
19WASHER
20	3321HJGEAR (SMALL)
21GRUB SCREW
22	3381HJREDUCTION GEAR BOX
23BOLT
24SPRING WASHER
25HEXAGON NUT



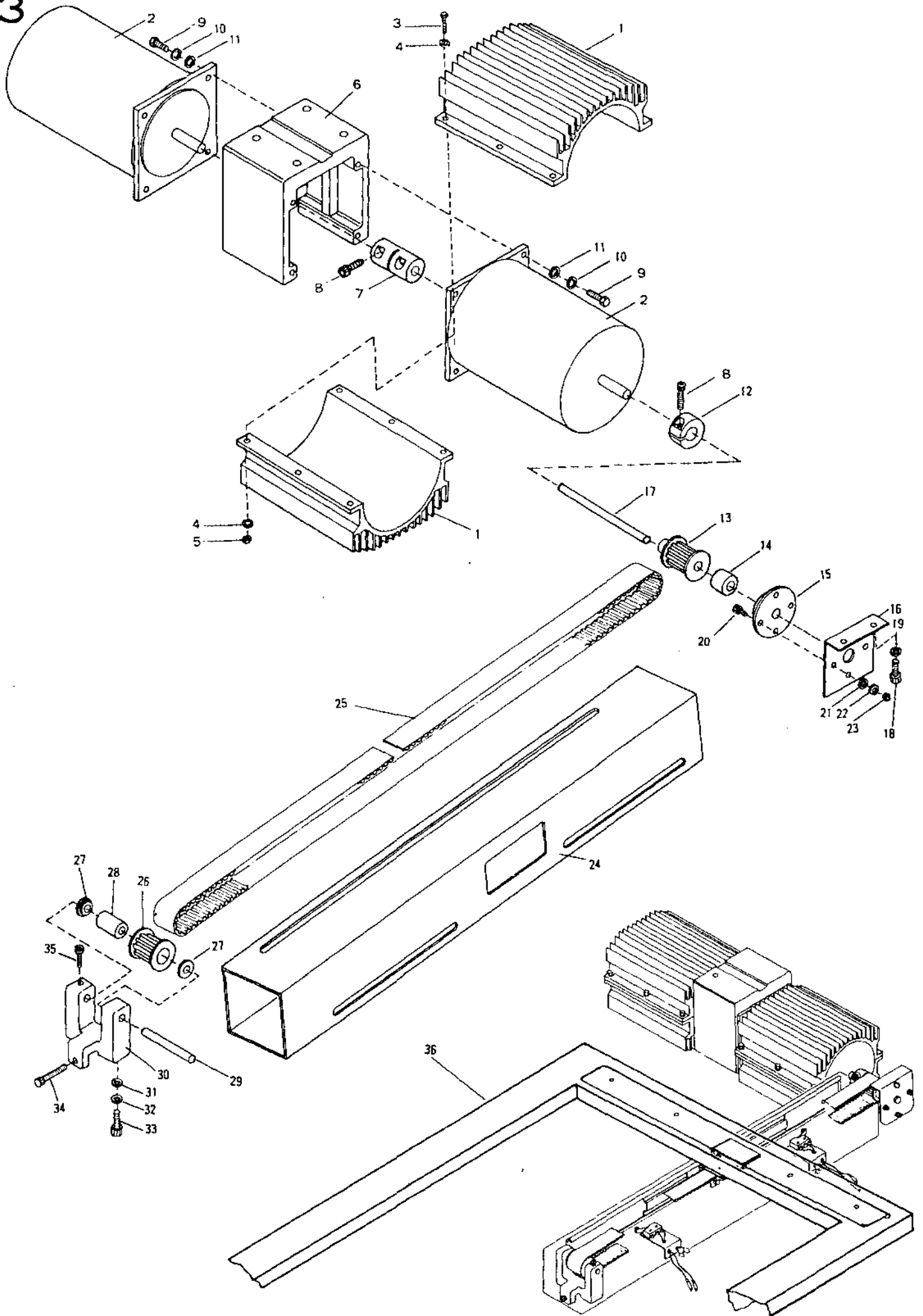
**PANTOGRAPH DRIVE MOTOR ASSY AND TIMING BELT (T)
(BACK/FORWARD MOVEMENT)**

No.	Description
1	4712H.....FINNED MOTOR COVER
2	4711H.....STEPPING MOTOR
3BOLT
4WASHER
5NUT
6	4715HJMOTOR MOUNTING
7ALAN SCREW
8SPRING WASHER
9WASHER
10	4717H.....CONNECTING BUSH
11ALAN SCREW
12BOLT
13SPRING WASHER
14WASHER
15	4718H.....BUSH
16	4721HJTIMING BELT SPINDLE
	4722HJ //
	4723HJ //
	4724HJ //
17	4759HJPULLEY SPINDLE
18	4757HJEND CAP
19	4719HJBUSH
20	4752HJTOOTHED ROLLER
21	4762HJCOLLAR
22BOLT X3
23WASHER
24SPRING WASHER
25NUT
26	4731HJTIMING BELT COVER (RIGHT)
	4732HJ // (LEFT)
27	4735HJPANTOGRAPH TIMING BELT
28	4751HJTOOTHED ROLLER BEARING
29	4756HJWASHER
30	TA820(1 KO)BUSH
31	4738HJSPINDLE
32	4737HJBRACKET
33ALAN SCREW
34SPRING WASHER
35WASHER
36BOLT
37ALAN SCREW



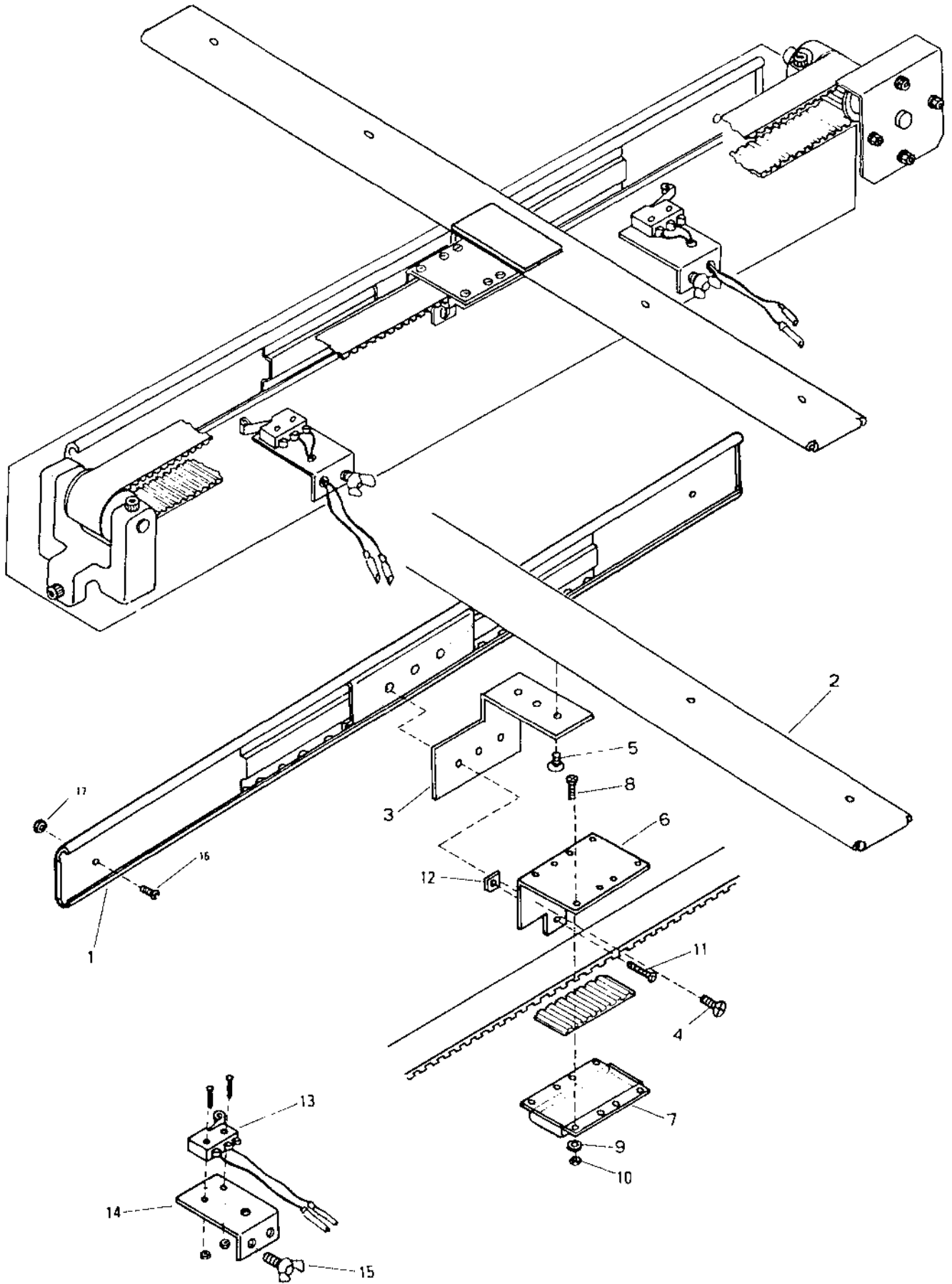
PANTOGRAPH TIMING BELT ASSY (U) (BACK/FORWARDS MOVEMENT)

No.	Description
1	4701HJPANTOGRAPH TIMING BELT TRACK
2	4702HJFIXING PLATE (352)
	4704HJ // (505)
3	4727HJFIXING BRACKET (RIGHT) — see — P.14
3	4728HJ // (LEFT)
4SCREW
5SCREW
6	4725HJTIMING BELT CLAMP (UPPER)
7	4726HJTIMING BELT CLAMP (LOWER)
8SCREW
9WASHER
10NUT
11SCREW
12WASHER (SQUARE)
13	4511HJFRAME LIMIT MICROSWITCH
14	4512HJMOUNTING PLATE
15WING NUT
16SCREW
17NUT



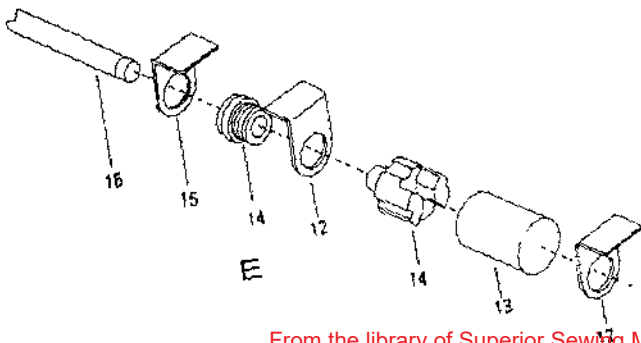
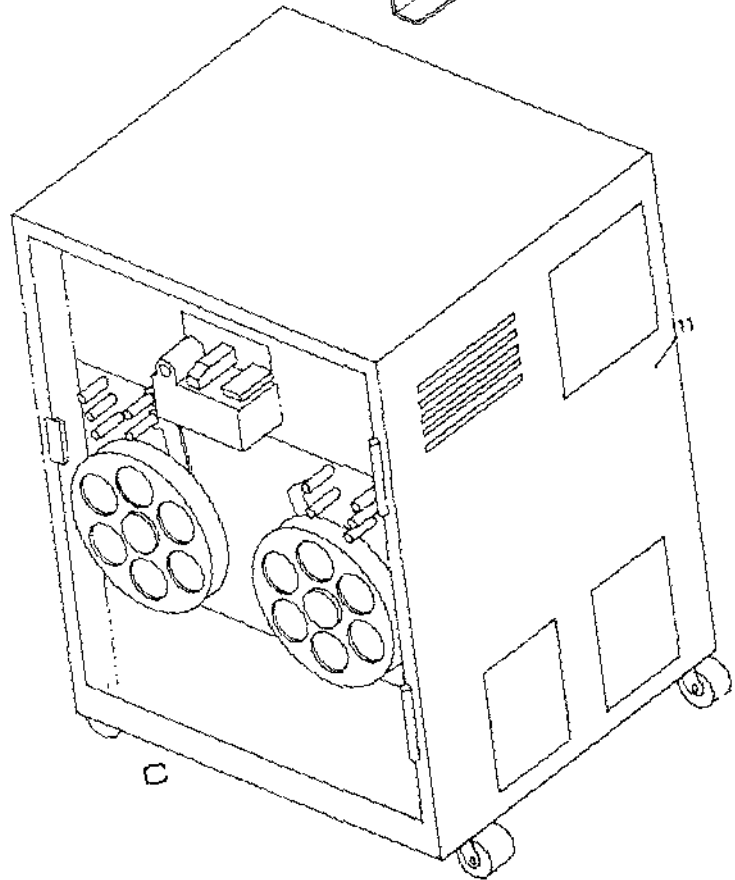
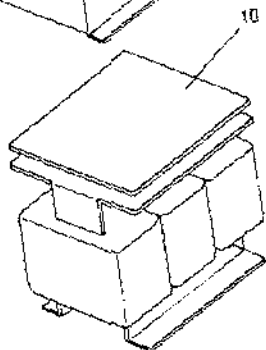
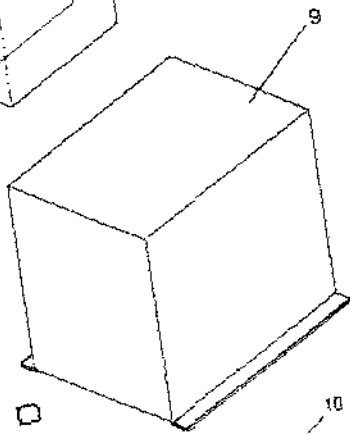
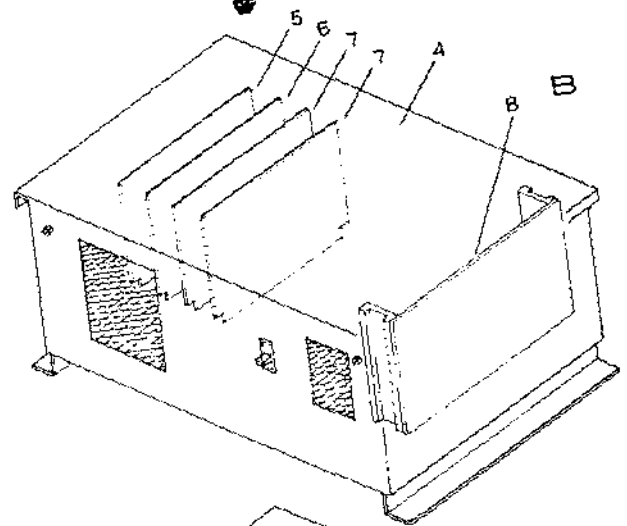
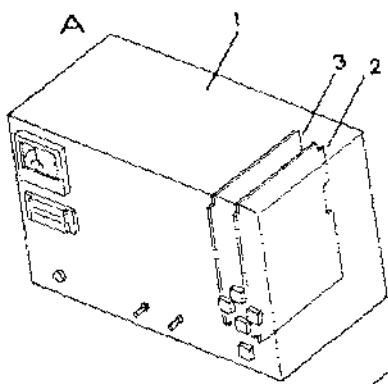
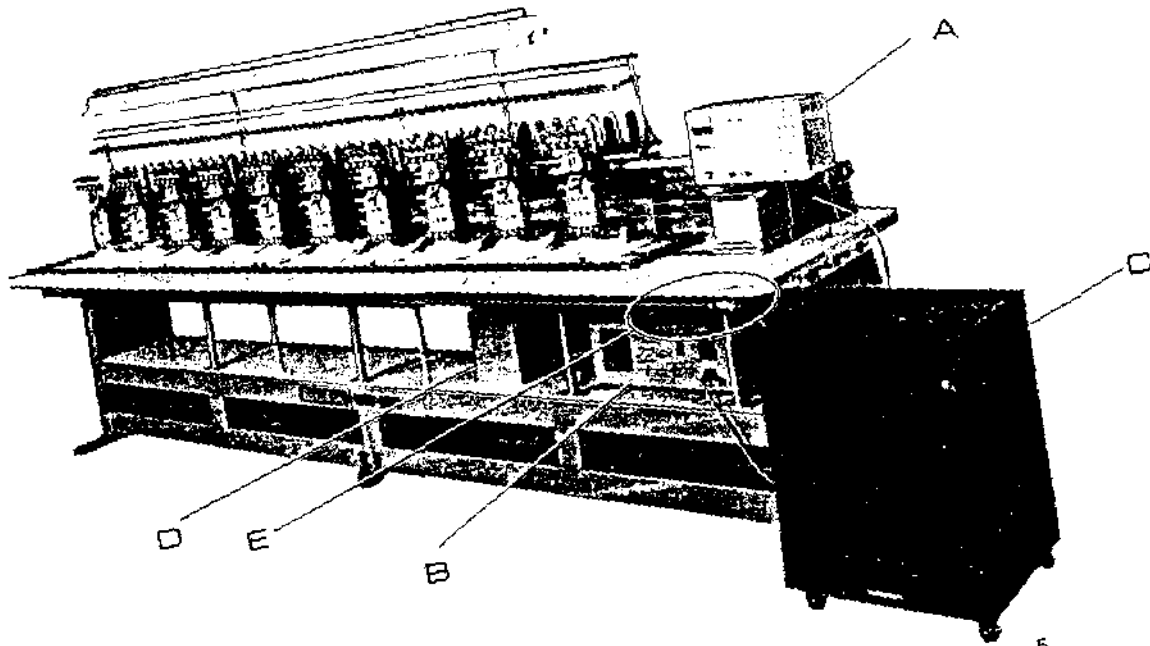
PANTOGRAPH DRIVE MOTOR ASSY AND TIMING BELT (V) (LEFT/RIGHT MOVEMENT)

No.	Description
1	4712H.....FINNED MOTOR COVER
2	4711H.....STEPPING MOTOR
3BOLT
4WASHER
5NUT
6	4716HJMOTOR MOUNTING
7	4717H.....CONNECTING BUSH
8ALAN SCREW
9BOLT
10SPRING MOTOR
11WASHER
12	4767HJ.....BUSH
13	4753HJTOOTHED ROLLER
14	4763HJCOLLAR
15	4758HJEND CAP
16	4729HJANGLE BRACKET
17	4761HJSPINDLE
18SCREW
19WASHER
20SCREW
21SPRING WASHER
22WASHER
23NUT
24	4733HJTIMING BELT COVER (8,10,12head)
	4734HJ // (6,8,10head)
25	4736HJPANTOGRAPH TIMING BELT (V,8,10,12head)
	4739HJ // (V6 head)
26	4751HJTOOTHED ROLLER
27	4756HJWASHER
28	TA820(1KO).....BUSH
29	4738HJSPINDLE
30	4737HJBRACKET
31WASHER
32SPRING WASHER
33ALAN SCREW
34BOLT
35ALAN SCREW
36	4510HJPANTOGRAPH (6 head)
	4520HJ // (8 head)
	4530HJ // (10 head)
	4540HJ // (12 head)

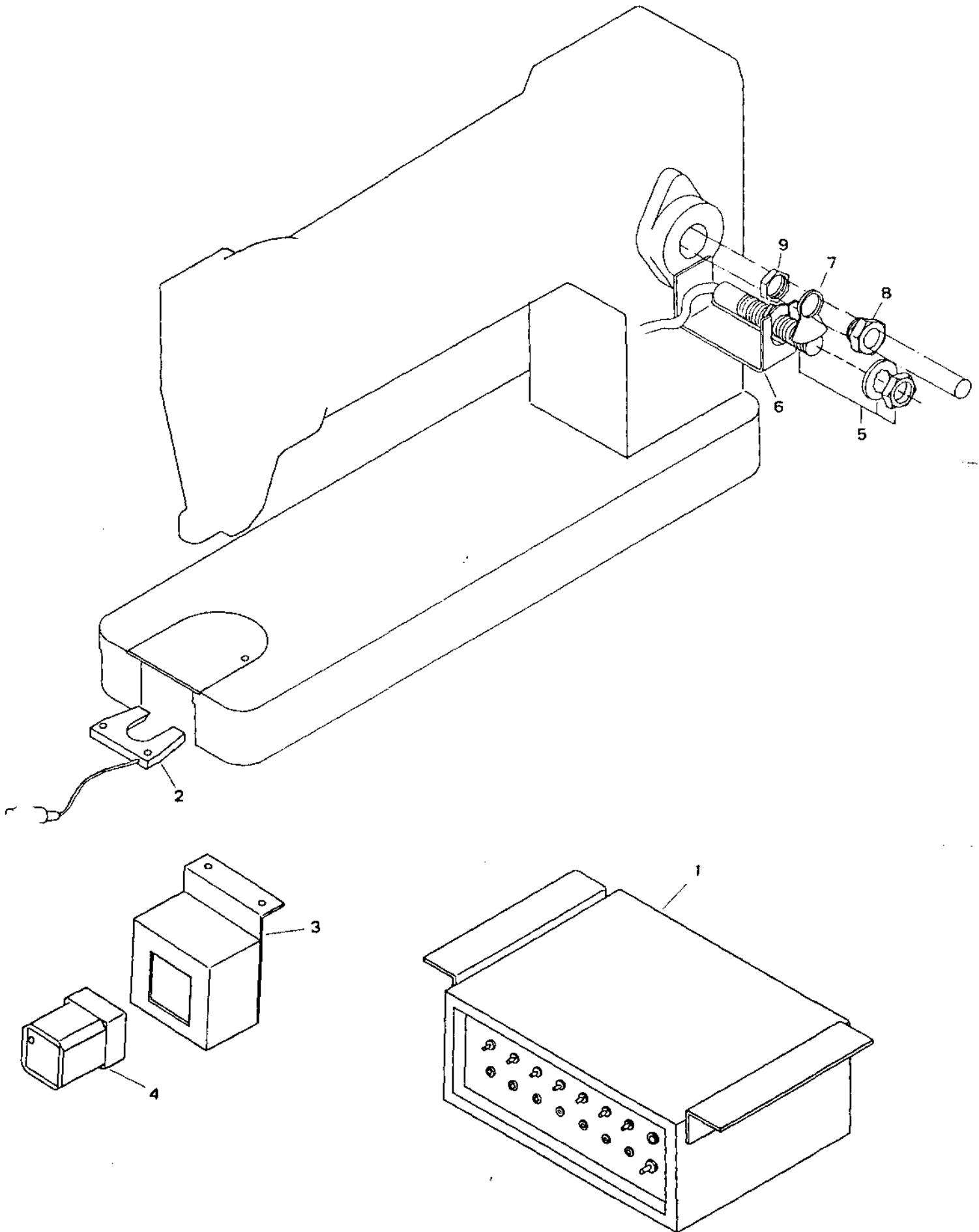


PANTOGRAPH TIMING BELT ASSY (W) (LEFT/RIGHT MOVEMENT)

No.	Description
1	4701HJPANTOGRAPH TIMING BELT TRACK
	4703HJ //
2	4702HJFIXING PLATE
3	4727HJFIXING BRACKET (RIGHT) <i>See P. 12.</i>
4SCREW
5SCREW
6	4725HJTIMING BELT CLAMP (UPPER)
7	4726HJTIMING BELT CLAMP (LOWER)
8SCREW
9WASHER
10NUT
11SCREW
12WASHER (SQUARE)
13	4511HJFRAME LIMIT MICROSWITCH
14	4512HJMOUNTING PLATE
15WING NUT
16SCREW
17NUT

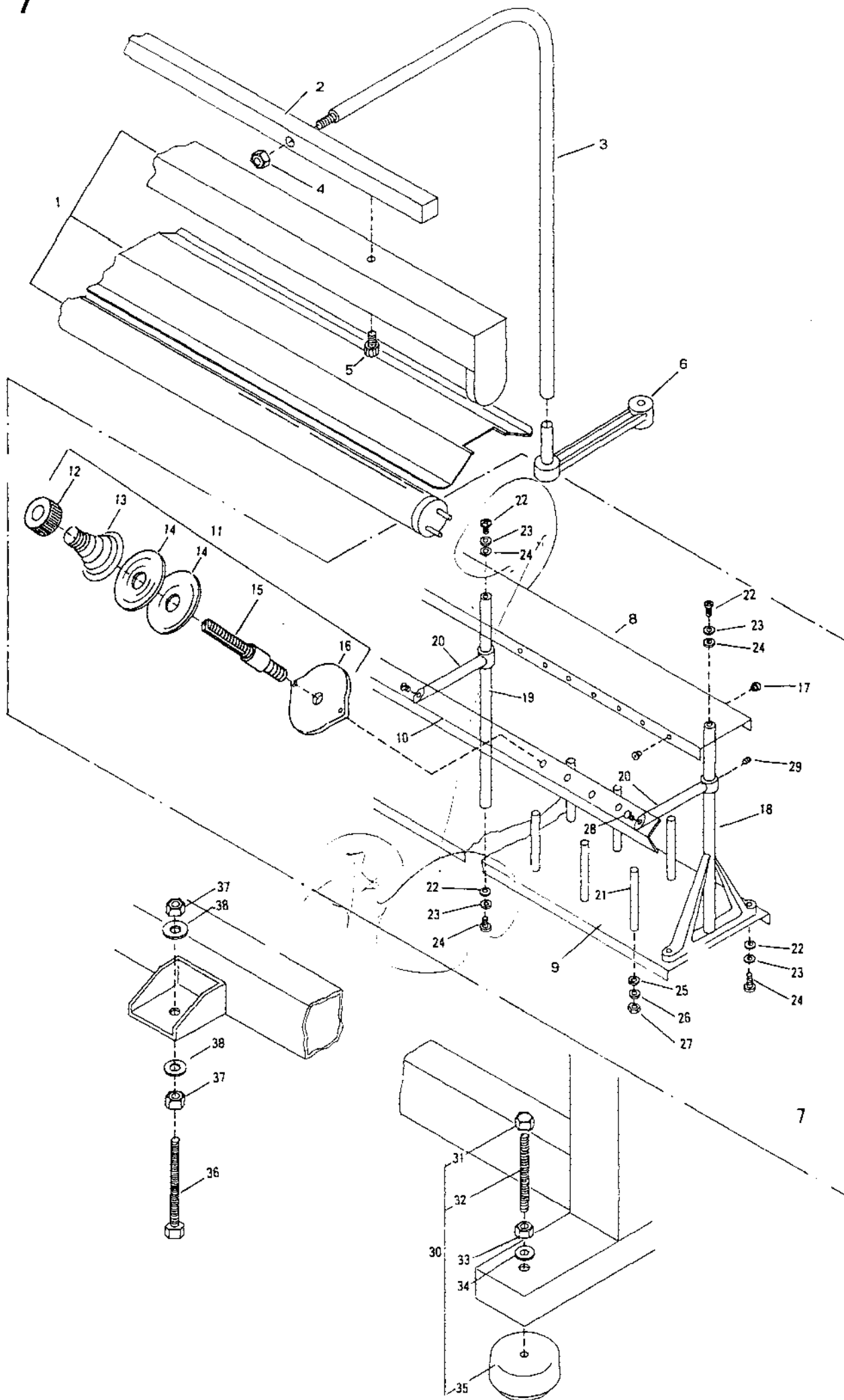


No.	Description
1	5 1 1 0 H JCONTROL PANEL
2	5 1 1 2 H JPCB (J 2)
3	5 1 1 3 H JPCB (J 3)
4	5 1 2 0 H JAUTOMAT MOTOR DRIVER
5	5 1 1 5 H JPCB (J 1)
6	5 1 1 6 H JPCB (J 2)
7	5 1 1 7 H JPCB (J 3, J 4)
8	5 1 1 9 H JPCB (J 5, J 6)
9	5 2 0 1 H JTRANSFORMER COVER
10	5 2 1 1 H JTRANSFORMER
11	5 2 2 0 HTAPE HANDLER/READER
12	5 3 1 8 FBRACKCT STOP/START SWITCH
13	5 3 1 5 FSTOP SWITCH CASING
14	5 3 1 1 FSTOP SWITCH <i>Red</i>
	5 3 1 2 F " <i>Green</i>
15	5 3 1 9 FBRACKET-STOP/START BAR
16	5 3 1 6 H JSTOP/START BAR



UNDERTHREAD STOP MOTION (UTSM) ASSY (Y) ¹⁶

No.	Description
1	5410HJ.....CONTROL BOX UNDERTHREAD STOP MOTION
2	5411F.....SENSOR UTSM
3	5401F.....AMPLIFIER CASING
4	5412F.....AMPLIFIER
5	5413F.....PROXIMITY SWITCH
6	5414F.....PROXIMITY SWITCH BRACKET
7	5416F.....PROXIMITY SWITCH PROBE
8	5417F.....HEXAGON NUT
9	5418F.....HEXAGON NUT



LIGHT FITTINGS, THREAD STAND, AND SUPPORTS (Z)

No.	Description
1	7110F.....FLORESCENT LIGHT UNIT
2	7114HJTRUNKING
3	7115F.....LIGHT STAND
4CHROME HEXAGON NUT
5SCREW
6	7116F.....BRACKET
7	7101HJTHREAD STAND ASSY (6 HEAD)
	7102HJ // (8 HEAD)
	7103HJ // (10 HEAD)
	7104HJ // (12 HEAD)
8	7121HJUPPER COVER THREAD STAND
9	7122HJBASE THREAD STAND
10	7124HJTHREAD GUIDE BAR
11	2405H.....THREAD TENSION UNIT ASSY
12	2471F.....ADJUSTING NUT
13	2435H.....SPRING
14	2425F.....TENSION DISC
15	2416F.....THREAD STAND TENSION POST
16	2421H.....BACKING PLATE
17	2493F.....NUT
18	7125HJTHREAD STAND FRAME END PILLAR
19	7126HJTHREAD STAND PILLAR
20	7127HJBRACKET AND ARM-THREAD STAND
21	7128F.....THREAD CONE PIN
22WASHER
23SPRING WASHER
24BOLT
25WASHER
26SPRING WASHER
27NUT
28SCREW
29SCREW
30	1290H.....FOOT ASSY
31NUT
32	1292H.....BOLT
33HEXAGON NUT
34WASHER
35	1241H.....RUBBER FOOT
36	1296H.....BOLT
37HEXAGON NUT
38WASHER